

# Duratemp thermometers

## Model 600A, 600B and 600H

Nominal size 4 ½, 6 and 8 ½ inch  
Accuracy: 1 %

### Features

- Molecular sieve system, low internal pressure
- Extreme shock and vibration resistance, similar MIL-T-19646
- Unique direct driven bourdon tube, silicone damped
- Low ambient temperature error
- Overload protection 125 % F.S.

### Ranges

-200 ... 100 °C up to 200 ... 650 °C  
-320 ... 200 °F up to 400 ... 1200 °F

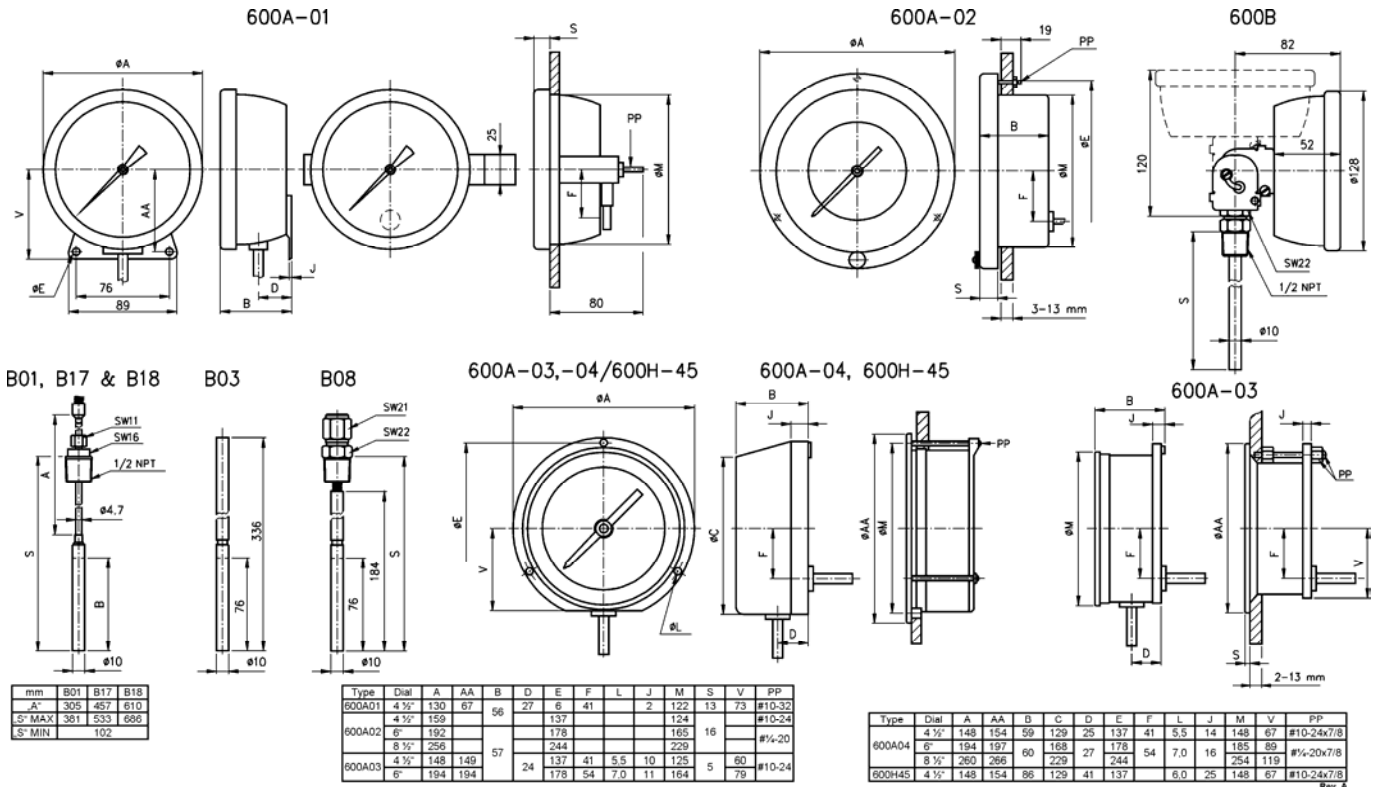
### Applications

Chemical and petrochemical industry  
Machine and apparatus construction  
Navy and marine  
Pulp and paper industry



Technical specification	600A								600H	600B
	01	02			03		04		45	
Case style										
Dial size [inch]	4 ½	4 ½	6	8 ½	4 ½	6	4 ½	6	4 ½	4 ½
Remote/direct mounted	Remote with capillary									Direct, rigid stem
Construction housing ring	Open front Bayonet   Hinged   Threaded   Snap ring				Solid front Threaded		Open front Bayonet			
Measuring principle	Molecular sieve gas/activated carbon									
Range [°C]	-200/100	-80/40	-40/80	0/120	10/150	0/300	0/400	200/650		
[°F]	-320/200	-100/100	-40/180	20/240	50/300	50/550	50/750	400/1200		
Overtemperature limit	Minimum 125 % F.S., others consult factory									
Sensitive length	3" (76 mm)									6", 9", 12", 15"
Stem length	12" (304 mm) (B01), 13 ¼" (336 mm) (B03), 18" (457 mm) (B17), 24" (609 mm) (B18)									
Capillary length	5' (1.5 m), 10' (3 m), 20' (6 m), 30' (9 m), 50' (15 m), 80' (24 m), others on request									
Process connection	Plain bulb with rigid extension (B03) ½ NPT male union on stem or capillary (B08) Bendable extension with ½ NPT male union, length 12" (B01), 18" (B17), 24" (B18)									½ NPT male fixed
Connection orientation	Lower, rear	Rear			Lower	Lower, rear		Lower	Every angle	
Material	Stainless steel 316 (1.4401) Stainless steel 300 series									
Connection/stem/bulb	304 (1.4301)   Aluminum   Aluminum   Phenolic   Phenolic herm. sealed   304 (1.4301)									
Capillary/armor										
Case										
Window	Instrument glass, optional laminated safety glass or acrylic glass									
Dial	Aluminum, black markings on white background									
Pointer	Aluminum, black, optional red set hand or maximum pointer									
Accuracy	1 % F.S.									
Permissible										
Ambient temperature	-25 ... 70 °C									
Storage temperature	-40 ... 75 °C									
Effect	At mid scale 0,3 % / 10 K									
Protection according EN 60 529/IEC 529	IP54, optional IP65							IP65		IP54, optional IP65
Mounting	Surface or flush, depending on configuration							Surface		Direct
Weight [kg]	Consult factory, depending on configuration									
Accessories, options	Thermowells, dual scale, contacts, calibration certificates									

## General dimensions [mm]



mm	B01	B17	B18
A	305	457	610
S <sup>1</sup> MAX	381	533	686
S <sup>1</sup> MIN		102	

Type	Dial	A	AA	B	D	E	F	L	J	M	S	V	PP
600A01	4 1/2"	130	67	58	27	6	41		2	122	13	73	#10-32
	4 1/2"	159					137					124	#10-24
600A02	6"	192					178					165	#1/4-20
	8 1/2"	256					244					229	
600A03	4 1/2"	148	148	57	24	137	41	5.5	10	125	5	80	#10-24
	6"	194	194			178	54	7.0	11	164		79	

Type	Dial	A	AA	B	C	D	E	F	L	J	M	V	PP
600A04	4 1/2"	148	154	59	129	25	137	41	5.5	14	148	67	#10-24x7/8
	6"	194	197	60	168	27	178	54	7.0	16	185	89	#1/4-20x7/8
	8 1/2"	260	266	60	229		244				254	119	#10-24x7/8
600H45	4 1/2"	148	154	86	129	41	137		6.0	25	148	67	#10-24x7/8

## Order information

Type	Case style	Mounting	Bulb style/length	Armor style	Line length	Range	Options	
600A	(01) Stainless steel with bayonet ring	(C01) 4 1/2" surface lower (C11) 4 1/2" flush rear	<b>Bendable extension length with 1/2 NPT male union connection</b>	(A1) Stainless steel spring lock	(L01) 5 ft (1,5 m)	in °C (AY) -200/ 100 °C (BL) -80/ 40 °C (BN) -40/ 80 °C (BS) 0/ 120 °C (BT) 10/ 150 °C (BU) 0/ 300 °C (BW) 0/ 400 °C <sup>1)</sup> (BJ) 200/ 650 °C <sup>1)</sup>	(NH) Tagging wired (EP) Maximum pointer adjustable (EQ) Minimum pointer adjustable	
	(02) Aluminum hinged ring	(C12) 4 1/2" flush rear (C27) 6" flush rear (C35) 8 1/2" flush rear	(B01) 12" (304 mm) (B17) 18" (457 mm) (B18) 24" (609 mm)		(L03) 10 ft (3 m) (L07) 20 ft (6 m) (L09) 30 ft (9 m) (L13) 50 ft (15 m) (L19) 80 ft (24 m)	in °F (AB) -320/ 200 °F (AE) -100/ 100 °F (AG) -40/ 180 °F (AK) 20/ 240 °F (AL) 50/ 300 °F (AN) 50/ 550 °F (AR) 50/ 750 °F <sup>1)</sup> (AT) 400/ 1200 °F <sup>1)</sup>	(PD) Acrylic glass (SG) Safety glass	
	(03) Aluminum threaded ring	(C02) 4 1/2" surface lower (C15) 6" surface lower	<b>Plain bulb with rigid extension length</b>					(SH) Red set hand stationary
	(04) Phenolic snap ring	(C03) 4 1/2" surface lower (C08) 4 1/2" surface rear (C38) 4 1/2" flush rear (C16) 6" surface lower (C42) 6" flush rear	<b>Plain bulb with rigid extension and with 1/2 NPT male union connection</b>	(B03) 13" (336 mm)				(EO) Red set hand externally adjustable
600H	(45) Phenolic hermetically sealed	(C60) 4 1/2" surface lower	<b>Plain bulb with rigid extension and with 1/2 NPT male union connection</b>	(B08) Sliding on bulb or capillary			(ED) High/low electrical contact (EE) Double high electrical contact	
600B	(=) Stainless steel with bayonet ring	(=) 4 1/2" direct lower	(01) 6" (152 mm) (02) 9" (228 mm) (03) 12" (304 mm) (04) 15" (381 mm)	(=) not available	(=) not available	(DT) -40/ 180 °F -40/ 80 °C	(EF) Double low electrical contact	

<sup>1)</sup> min. length 9" for type 600B

## How to order

Type	Case style	Mounting	Bulb style/length	Armor style	Line length	Range	Option
600A	01	C01	B01	A1	L01	BS	NH

## Ashcroft Instruments GmbH

Germany  
Max-Planck-Str. 1, D-52499 Baesweiler  
P.O. Box 11 20, D-52490 Baesweiler  
Tel.: +49 (0) 2401 808-0, Fax: +49 (0) 2401 808-125

France  
„206" ZA Le Mandinet Rue des Campanules  
F-77185 Lognes  
Tel.: +33 (0) 1 60 37 25 30, Fax: +33 (0) 1 60 37 25 39

Website: [www.ashcrofteurope.com](http://www.ashcrofteurope.com)

United Kingdom  
Unit 5 William James House  
Cowley Road, Cambridge CB4 0WX  
Tel.: +44 (0) 12 23 39 55 00, Fax: +44 (0) 12 23 39 55 01